

**ADDENDUM NO. 2**  
To the Contract Documents for:  
City of Mount Vernon, Washington  
**COLLEGE WAY / 30<sup>TH</sup> STREET INTERSECTION IMPROVEMENTS**  
City of MOUNT VERNON Project # TS-2017-023

To the attention of all bidders for the above project:

Please find the following Addendum No. 2 for the above referenced project.

This addendum is to be considered as much a part of the Contract Documents as if it were included in the body of the plans and specifications, and will be incorporated in and made a part of the contract when awarded and when formally executed.

**Plans**

**Item 1**

Sheet 22

Construction Geotextile for Underground Drainage is added to the details.

**Special Provisions**

**Item 2**

Bid Proposal Form

The bid proposal form dated May 13, 2019 is deleted and replaced with the attached revised bid proposal form dated June 6, 2019. Only bids submitted on the bid proposal form dated June 6, 2019 as included in this Addendum shall be accepted as responsive bids.

The bid proposal form has been revised as follows:

- A new Bid Item (13) for "Construction Geotextile for Underground Drainage" has been added to the bid proposal form.
- Bid Items formerly 13 through 48 are renumbered to Bid Items 14 through 49 to account for the added Bid Item.
- Bid Item 18 "Planing Bituminous Pavement" (formerly Bid Item 17), the quantity is revised to 112 SY.
- Bid Item 19 "Underdrain Pipe 8 In. Diam." (formerly Bid Item 18), the quantity is revised to 390 LF.
- Bid Item 20 "Solid Wall PVC Storm Sewer Pipe 8 In. Diam." (formerly Bid Item 19), the quantity is revised to 44 LF.
- Bid Item 36 "Cement Conc. Sidewalk" (formerly Bid Item 35), the quantity is revised to 62 SY.

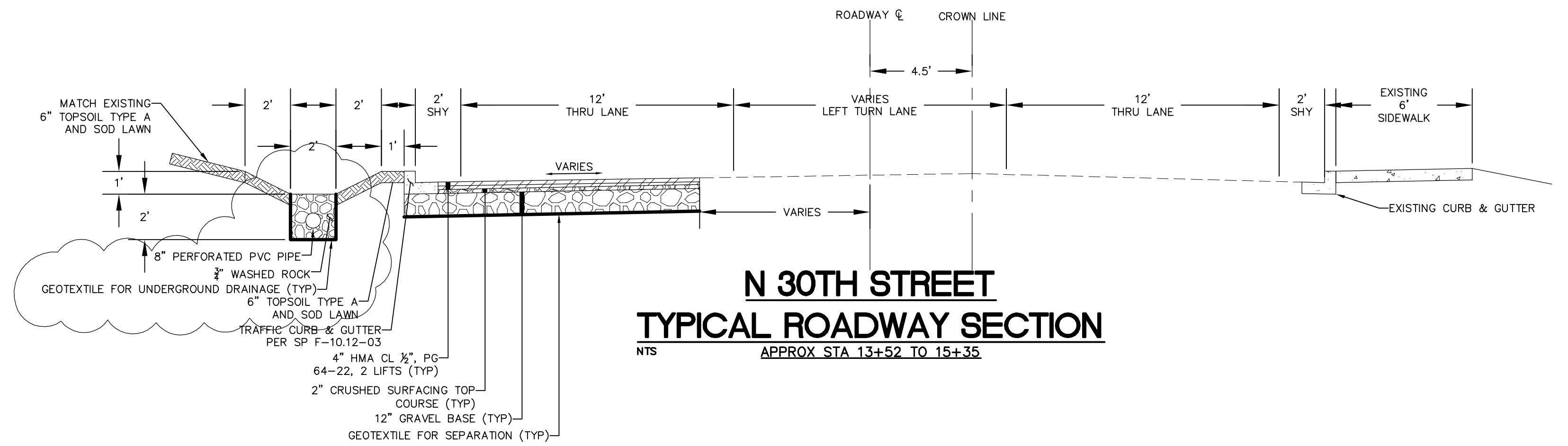
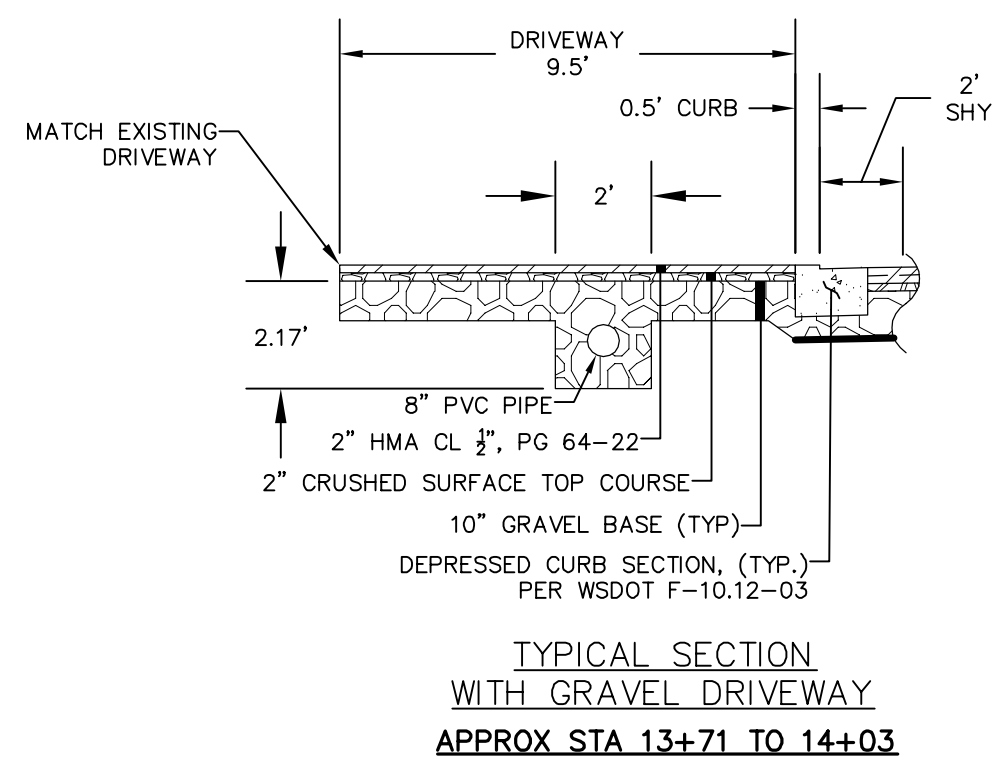
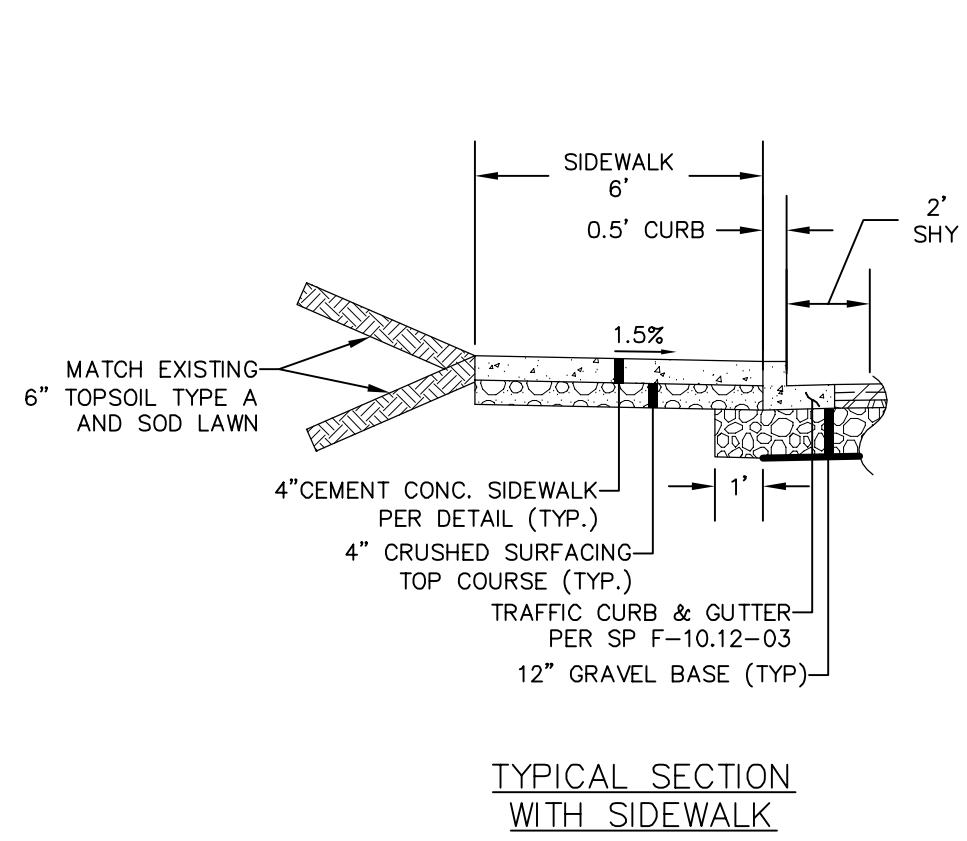
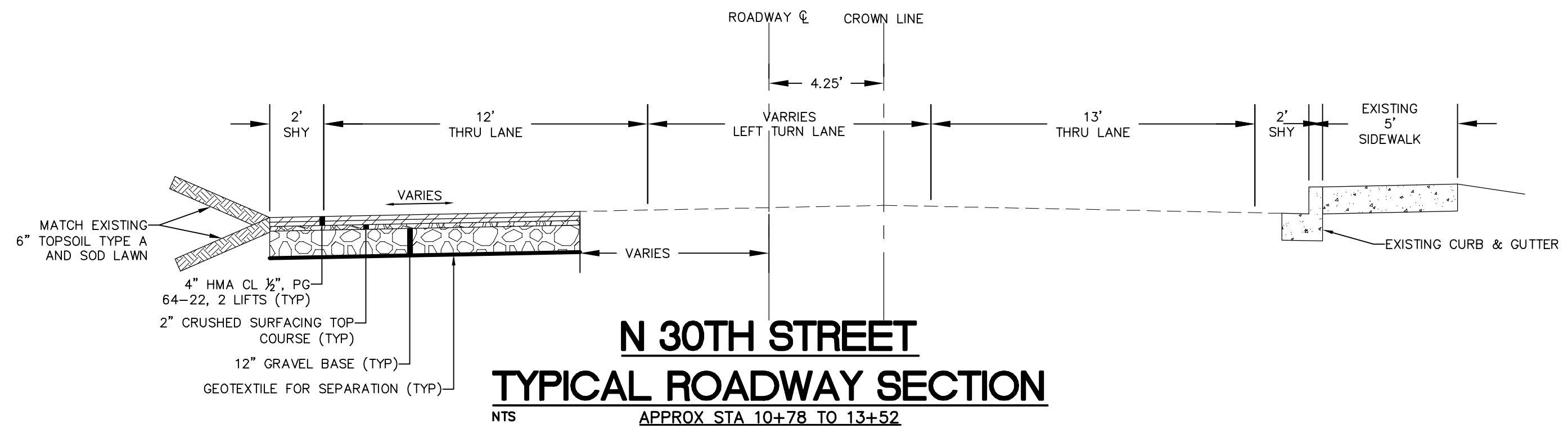
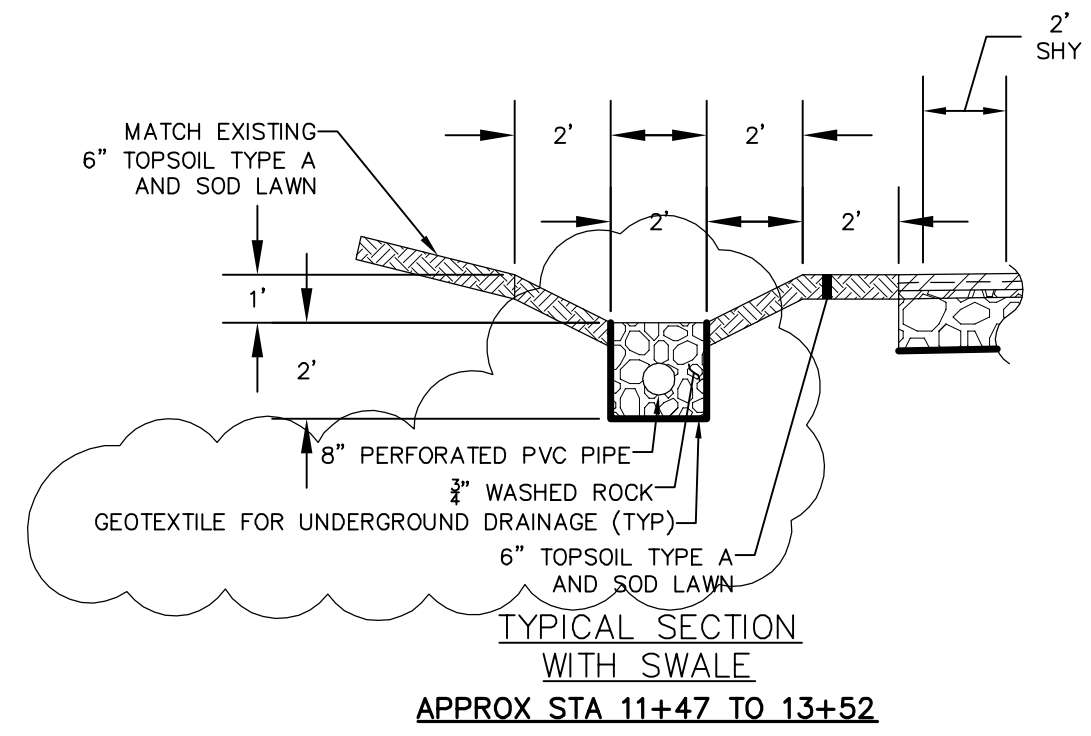
END OF ADDENDUM NO. 2

Acknowledgement that this addendum has been received is required on the Bid Proposal, page 22.



---

Nathan Zylstra, P.E.



<b>ADDENDUM NO. 2</b>	DESIGNED BY GS	<b>R&amp;E Reichhardt &amp; Ebe</b> ENGINEERING INC P.O. Box 978   423 Front Street, Lynden, WA 98264 (360) 354-3687	1	6/6/19	GEOTEXTILE FOR UNDERGROUND DRAINAGE	GS	CITY OF MOUNT VERNON 1024 CLEVELAND AVE. MOUNT VERNON, WA 98273	COLLEGE WAY / 30TH STREET INTERSECTION IMPROVEMENTS TYPICAL SECTIONS	DWG 17019 DETAILS		DATE 6/6/2019
	DRAWN BY GS/LMH									JOB# 17019	SCALE H: N/A V: N/A
	CHECKED BY NZ		NO.	DATE	DESCRIPTION	BY					

**CITY OF MOUNT VERNON**  
**COLLEGE WAY AND N 30TH STREET INTERSECTION IMPROVEMENTS**

Addendum No. 2  
 June 6, 2019

( ) SECTION REFERENCE

ITEM NO.	QUANTITY	DESCRIPTION	UNIT PRICE	TOTAL
1	1 LUMP SUM	MOBILIZATION (1-09.7)	\$	\$
			per LS	
2	1 LUMP SUM	SPCC PLAN (1-07)	\$	\$
			per LS	
3	1 LUMP SUM	PROJECT TEMPORARY TRAFFIC CONTROL (1-10)	\$	\$
			per LS	
4	1,400 HOUR	FLAGGERS (1-10)	\$	\$
			per HR	
5	140 HOUR	OTHER TRAFFIC CONTROL LABOR (1-10)	\$	\$
			per HR	
6	1 LUMP SUM	CLEARING AND GRUBBING (2-01)	\$	\$
			per LS	
7	1 LUMP SUM	REMOVAL OF STRUCTURES AND OBSTRUCTIONS (2-02)	\$	\$
			per LS	
8	3,520 LINEAR FOOT-INCH	SAWCUT ACP (2-02)	\$	\$
			per LF-IN	
9	330 LINEAR FOOT-INCH	SAWCUT PCC (2-02)	\$	\$
			per LF-IN	

**CITY OF MOUNT VERNON**  
**COLLEGE WAY AND N 30TH STREET INTERSECTION IMPROVEMENTS**

Addendum No. 2  
 June 6, 2019

( ) SECTION REFERENCE

ITEM NO.	QUANTITY	DESCRIPTION	UNIT PRICE	TOTAL
10	300 CUBIC YARD	ROADWAY EXCAVATION INCL. HAUL (2-03)	\$	\$
			per CY	
11	50 M GAL.	WATER (2-07)	\$	\$
			per M GAL.	
12	180 SQUARE FOOT	SHORING OR EXTRA EXCAVATION CLASS B (2-09)	\$	\$
			per SF	
13	260 SQUARE YARD	CONSTRUCTION GEOTEXTILE FOR UNDERGROUND DRAINAGE (2-12)	\$	\$
			per SY	
14	540 SQUARE YARD	CONSTRUCTION GEOTEXTILE FOR SEPARATION (2-12)	\$	\$
			per SY	
15	580 TON	GRAVEL BASE (4-02)	\$	\$
			per TON	
16	90 TON	CRUSHED SURFACING TOP COURSE (4-04)	\$	\$
			per TON	
17	150 TON	HMA CL. 1/2" PG 64-22 (5-04)	\$	\$
			per TON	
18	112 SQUARE YARD	PLANING BITUMINOUS PAVEMENT (5-04)	\$	\$
			per SY	

**CITY OF MOUNT VERNON**  
**COLLEGE WAY AND N 30TH STREET INTERSECTION IMPROVEMENTS**

Addendum No. 2  
 June 6, 2019

( ) SECTION REFERENCE

ITEM NO.	QUANTITY	DESCRIPTION	UNIT PRICE	TOTAL
19	390 LINEAR FOOT	UNDERDRAIN PIPE 8 IN. DIAM. (7-01)	\$	\$
			per LF	
20	44 LINEAR FOOT	SOLID WALL PVC STORM SEWER PIPE 8 IN. DIAM. (7-04)	\$	\$
			per LF	
21	230 LINEAR FOOT	DUCTILE IRON STORM SEWER PIPE 12 IN. DIAM. (7-04)	\$	\$
			per LF	
22	10 LINEAR FOOT	TR. 5 ALUMINIZED ST. STORM SEWER PIPE 0.064 IN. TH. 12 IN. DIAM. (7-04)	\$	\$
			per LF	
23	8 EACH	CATCH BASIN TYPE 1 (7-05)	\$	\$
			per EA	
24	1 EACH	CONCRETE INLET (7-05)	\$	\$
			per EA	
25	1 LUMP SUM	ADJUSTMENTS TO FINISHED GRADE (7-05)	\$	\$
			per LS	
26	30 LINEAR FOOT	CHECK DAM (8-01)	\$	\$
			per LF	
27	18 EACH	INLET PROTECTION (8-01)	\$	\$
			per EA	

**CITY OF MOUNT VERNON**  
**COLLEGE WAY AND N 30TH STREET INTERSECTION IMPROVEMENTS**

Addendum No. 2  
 June 6, 2019

( ) SECTION REFERENCE

ITEM NO.	QUANTITY	DESCRIPTION	UNIT PRICE	TOTAL
28	550 LINEAR FOOT	HIGH VISIBILITY SILT FENCE (8-01)	\$	\$
			per LF	
29	1 EST	EROSION/WATER POLLUTION CONTROL (8-01)	\$ 10,000.00	\$ 10,000.00
			EST	
30	460 SQUARE YARD	SEEDING AND FERTILIZING BY HAND (8-01)	\$	\$
			per SY	
31	1 EST	LANDSCAPE RESTORATION (8-02)	\$ 2,500.00	\$ 2,500.00
			EST	
32	90 SQUARE YARD	SOD INSTALLATION (8-02)	\$	\$
			per SY	
33	550 SQUARE YARD	TOPSOIL TYPE A (8-02)	\$	\$
			per SY	
34	530 LINEAR FOOT	CEMENT CONC. TRAFFIC CURB AND GUTTER (8-04)	\$	\$
			per LF	
35	190 LINEAR FOOT	CEMENT CONC. PEDESTRIAN CURB (8-04)	\$	\$
			per LF	
36	62 SQUARE YARD	CEMENT CONC. SIDEWALK (8-14)	\$	\$
			per SY	

**CITY OF MOUNT VERNON**  
**COLLEGE WAY AND N 30TH STREET INTERSECTION IMPROVEMENTS**

Addendum No. 2  
 June 6, 2019

( ) SECTION REFERENCE

ITEM NO.	QUANTITY	DESCRIPTION	UNIT PRICE	TOTAL
37	8 EACH	CEMENT CONC. CURB RAMP TYPE PARALLEL A (8-14)	\$	\$
			per EA	
38	1 LUMP SUM	TRAFFIC SIGNAL AND ILLUMINATION SYSTEM (8-20)	\$	\$
			per LS	
39	1 LUMP SUM	PERMANENT SIGNING (8-21)	\$	\$
			per LS	
40	4,490 LINEAR FOOT	PAINT LINE (8-22)	\$	\$
			per LF	
41	130 LINEAR FOOT	PLASTIC STOP LINE (8-22)	\$	\$
			per LF	
42	570 SQUARE FOOT	PLASTIC CROSSWALK LINE (8-22)	\$	\$
			per SF	
43	8 EACH	PLASTIC TRAFFIC ARROW (8-22)	\$	\$
			per EA	
44	4,500 LINEAR FOOT	REMOVING PAINT LINE (8-22)	\$	\$
			per LF	
45	50 LINEAR FOOT	REMOVING PLASTIC LINE (8-22)	\$	\$
			per LF	



**CITY OF MOUNT VERNON**  
**COLLEGE WAY AND N 30TH STREET INTERSECTION IMPROVEMENTS**

Addendum No. 2  
 June 6, 2019

( ) SECTION REFERENCE

ITEM NO.	QUANTITY	DESCRIPTION	UNIT PRICE	TOTAL
46	360 SQUARE FOOT	REMOVING PLASTIC CROSSWALK LINE (8-22)	\$	\$
			per SF	
47	7 EACH	REMOVING PLASTIC TRAFFIC MARKING (8-22)	\$	\$
			per EA	
48	10 EACH	POTHOLE EXISTING UNDERGROUND UTILITY (8-30)	\$	\$
			per EA	
49	1 EST	REPAIR EXISTING PUBLIC AND PRIVATE FACILITIES (8-31)	\$	\$
			10,000.00	10,000.00
			EST	

**Total \$** \_\_\_\_\_